

Spring 2025 ChemE-Sports™

Gas Treating Unit Competition:

Sunday 30 March 2025 Online from New York, New York

08:15 AM "Doors Open"

08:30 AM – 09:00 AM Competing Teams Sign-in/Set up

09:00 AM- 9:30 AM Round 1 Smooth Operator Round

09:30 AM -10:00 AM Round 2 Expert Round

10:00 AM – 10:30 AM Round 3 Master of Disaster Round

10:30 AM – 11:00 AM Round 4 Ultimate Controller Round

11:00 AM – 11:30 AM Awards

Teams of 1-4 Competitors should sign up as soon as possible

Sponsored by

PetroSkills®

Simulation-Solutions Inc



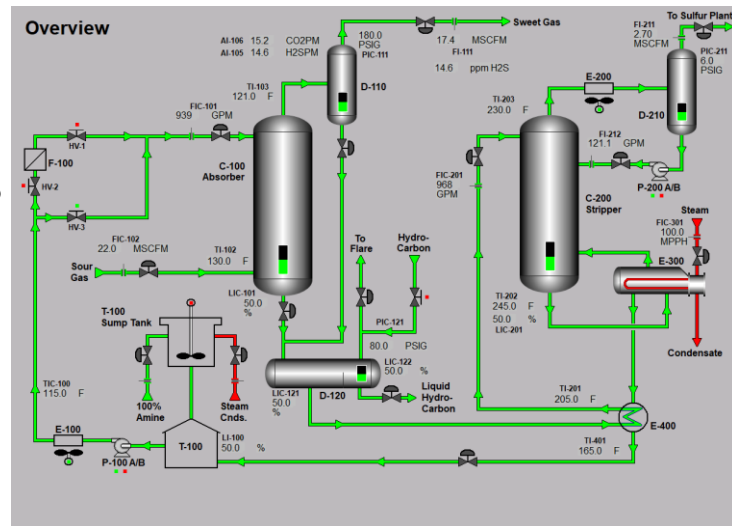
COLUMBIA CHEMICAL ENGINEERING

Questions? Contact Robert G. Bozic Ph.D./LTC(USA(Ret.)) at robert.bozic@columbia.edu

Sign Up at <https://forms.gle/DwTmP55ytNhoRRN27>

(Registration is through Google Forms this Spring 2025 Competition.)

2025 ChemE-Sports™- A chemical engineering optimization and safety skills competition based on a gas treating unit with a Distributed Control System.



Continuing from 2024

All teams compete in all rounds

Awards for every round of competition

Regional and Overall Awards

Audience viewing experience on

Zoom

Planned for 2025

Possible Live Stream

As of Tue 11 Feb 2025

Mark your calendar:

2025 Spring ChemE-Sports™

Competition Kick off Webinar

On Zoom

1:00 PM ET Tue 11 Feb 2025

Currently working with



The Global Home of Chemical Engineers

for future possible ChemE fun and integration of ChemE-Sports™.