

Fall 2024 ChemE-Sports™

Gas Treating Unit Competition:

Sunday 27 October at the AIChE ASC

08:30 AM "Doors Open"

08:30 AM – 09:00 AM Competing Teams Sign-in/Set up

09:00 AM- 10:15 AM Round 1: Smooth Operator Round

10:15 AM -11:00 AM Round 2: Expert Round

11:00 AM – 11:25 AM Round 3: Master of Disaster Round

11:25 AM – 12:00 PM Round :4 Ultimate Controller Round

12:00 PM – 12:30 PM Awards

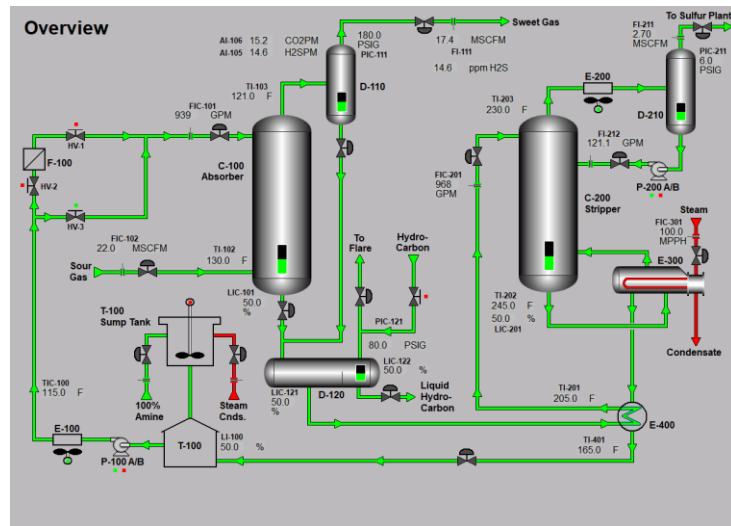
Teams of 2-4 ChemE Students should sign up as soon as possible

Contact Robert G. Bozic Ph.D./LTC(USA(Ret.))

for Sign Up at robert.bozic@columbia.edu

(Full student names, student email addresses, and student team number with team captain clearly designated are required for registration.)

2024 ChemE-Sports™- A chemical engineering optimization and safety skills competition based on a gas treating unit with a **Distributed Control System.**



Continuing from 2023

All teams compete in all rounds

Awards for every round of competition

Improved audience experience with

Zoom viewing

As of Mon 24 Jun 2024

Mark your calendar:

2024 Fall ChemE-Sports™

Competition Kick off Webinar

12:00 PM EDT Tue 10 Sep 2024

Planned for 2024

Regional and Overall

Awards

Possible Live stream on YouTube

Sponsored by



PetroSkills®
Simulation-Solutions Inc



COLUMBIA CHEMICAL ENGINEERING